

SK6610P

265/270/275W

60 CELLS

POLY 5BB

Enhanced Module



PRODUCT FEATURES



High Efficiency

Output efficiency up to 16.9%
0~3% positive power tolerance
5-busbar has better collected current capability



Excellent Low-Irradiance

Well generation capacity and temperature stability especially in faint lighting conditions



Anti-PID Design

Products satisfy IEC62804 tests by anti-PID cell and module technology



Harsh Environment Adaptability

Salt mist resistance
Ammonia resistance
Dust and sand resistance



Robust Mechanical Durability

Strong mechanical durability of 10000Pa snow load, 10000Pa wind load



COMPANY PROFILE

Akcome Optronics is a leading manufacturer and service provider of professional photovoltaic cells and modules that can be widely utilized in residence, commerce and ground photovoltaic plant. Founded in 2010, and became wholly-owned subsidiary of Jiangsu Akcome Science & Technology Co., Ltd. (002610).

Akcome Optronics provides PV products with exceptional power output and reliability by integrating rigorous design, advanced production technology and fully automatic production equipment. Strict quality control and test standards confirm its pursuit of zero-defect output.

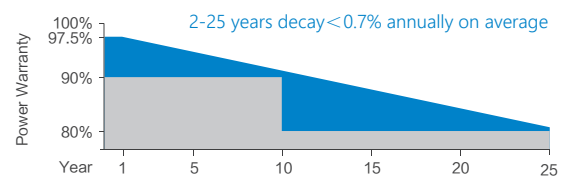
LINEAR PERFORMANCE WARRANTY



Product warranty on materials and workmanship



Linear power output warranty



CERTIFICATES

IEC 61215 / IEC 61730

ISO 9001: 2015

Quality Management System

ISO 14001: 2015

Environmental Management System

OHSAS 18001: 2016

Occupational Health & Safety Management System

*Certification requirements vary in different markets, please consult with Akcome Optronics sales team for appropriate certification.



SK6610P 265/270/275W

ELECTRICAL PARAMETERS @ STC

Max. Power Output Pmax (W)	265	270	275
Power Tolerance	0~+3%	0~+3%	0~+3%
Max. Power Voltage Vmp (V)	30.7	30.9	30.9
Max. Power Current Imp (A)	8.63	8.74	8.90
Open Circuit Voltage Voc (V)	38.0	38.2	38.2
Short Circuit Current Isc (A)	9.25	9.30	9.35
Module Efficiency (%)	16.3	16.6	16.9

*STC (Standard Test Condition): Irradiance 1000W/m², Cell Temperature 25°C, Air Mass 1.5

ELECTRICAL PARAMETERS @ NOCT

Max. Power Output Pmax (W)	195.7	200.4	203.2
Max. Power Voltage Vmp (V)	28.17	28.45	28.72
Max. Power Current Imp (A)	6.95	7.02	7.07
Open Circuit Voltage Voc (V)	35.12	35.31	35.45
Short Circuit Current Isc (A)	7.48	7.52	7.56

*NOCT(Nominal Operating Cell Temperature): Irradiance 800W/m², Ambient Temperature 20°C, Wind Speed 1m/s

TEMPERATURE COEFFICIENTS

Temperature Coefficients of Pmp	-0.40%/°C
Temperature Coefficients of Voc	-0.31%/°C
Temperature Coefficients of Isc	+0.055%/°C

MECHANICAL PARAMETERS

Cell Type	Poly 156.75×156.75mm
Number of Cells	60pcs(6x10)
Dimensions (L*W*H)	1640x992x35mm
Weight	21.5kg
Frame	Anodised Aluminum
Junction Box	IP67, 3 bypass diodes
Cable, Length	4.0mm ² , 900mm

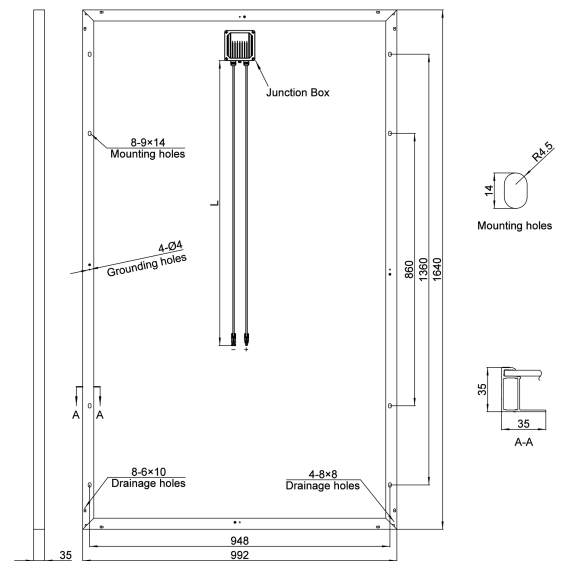
OPERATING CONDITION

Maximum System Voltage(V)	1000(DC)
Operating Temperature(°C)	-40~+85
Max. Wind Load / Snow Load(pa)	10000/10000
Max. Over Current(A)	15
Application Class	Class A
Fire Rating	Class C
NOCT(°C)	45±2

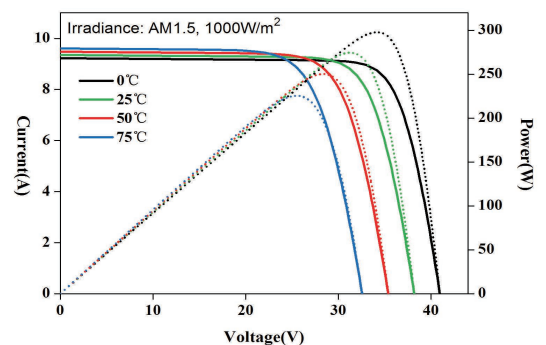
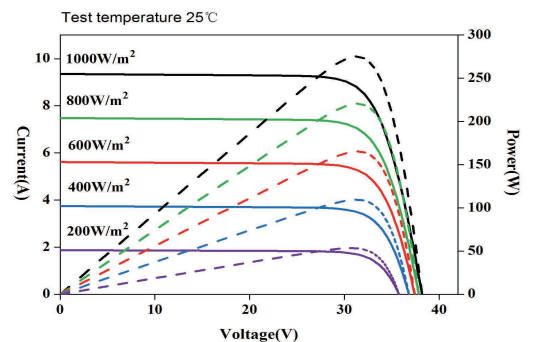
PACKAGE INFORMATION

Container 20'GP / 40'GP / 40'HQ	336 / 784 / 840pcs
Quantity / Pallet	28pcs

ASSEMBLY DRAWING (Unit: mm)



I-V CURVES / SK6610P-275



AKCOME OPTRONICS SCIENCE & TECHNOLOGY CO.,LTD.

Add: No. 110 Jintang Road, Zhangjiagang economic and Technological Development Area, Jiangsu P.R. China

Tel: 400-101-7000

Email: modulesales@akcome.com

www.akoptronics.com

